

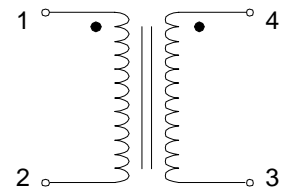
# Surface Mount Inductor

Toroid Mount meets UL94VO

Designed for IR and Vapor Phase Reflow

The Inductor is a dual winding and can be used as a dual inductor, single inductor, or a transformer. Single inductors can be wired in series for high inductance values or wired in parallel for less inductance but twice the current capacity. As a 1:1 transformer, it can provide a minimum of 500 volts isolation with good frequency response.

## Schematic Diagram



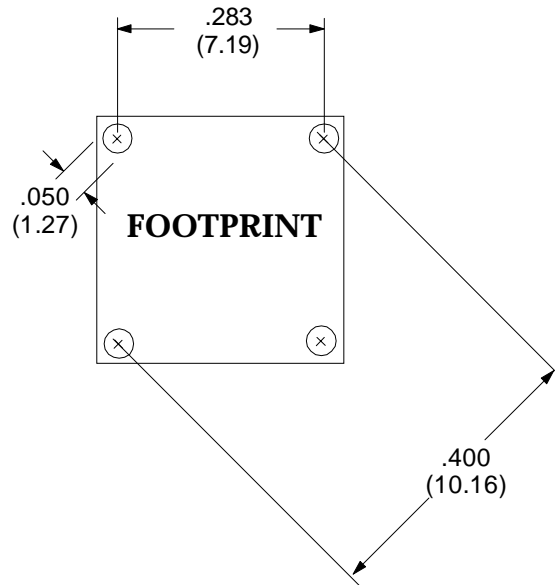
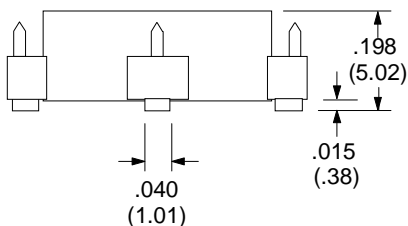
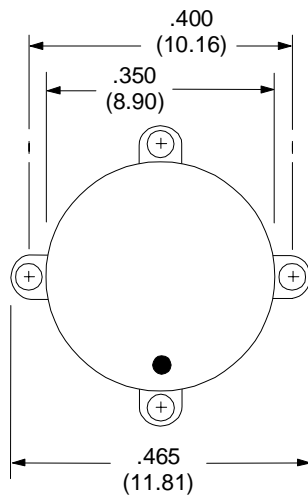
For series operation  
Connect 2 & 4

For parallel operation  
Connect 1 & 4 and 2 & 3

Electrical Specifications at 25° C

Part Number	--- Parallel Ratings ---			--- Series Ratings ---		
	L ± 20% ( $\mu$ H)	DCR Max. ( $m\Omega$ )	I Max. ADC	L ± 20% ( $\mu$ H)	DCR Max. ( $m\Omega$ )	I Max. ADC
L-15804	4.83	41	2.0	19.31	161	1.0

Physical Dimensions in inches (mm)



RHOMBUS P/N: L-15804

CUST P/N:

NAME:

DATE: 1/30/00

SHEET: 1 OF 1