

# Surface Mount Inductor

Toroid Mount meets UL94VO

Designed for IR and Vapor Phase Reflow

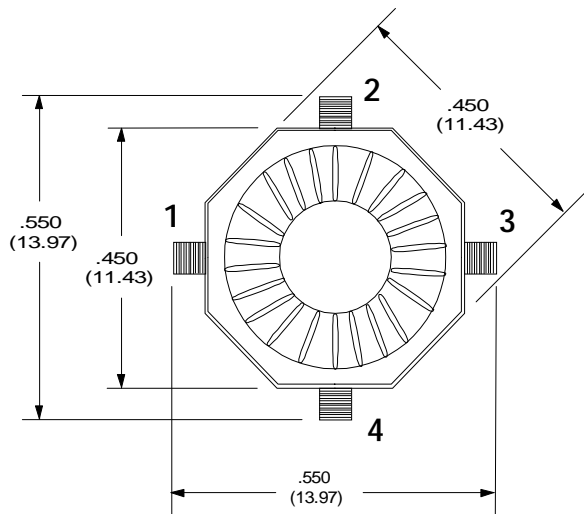
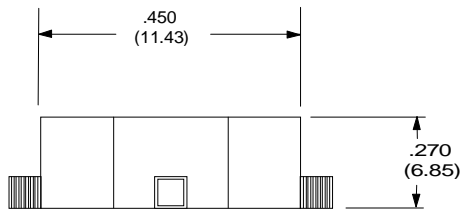
The Inductor is a dual winding and can be used as a dual inductor, single inductor, or a transformer. Single inductors can be wired in series for high inductance values or wired in parallel for less inductance but twice the current capacity.

As a 1:1 transformer, it can provide a minimum of 500 volts isolation with good frequency response.

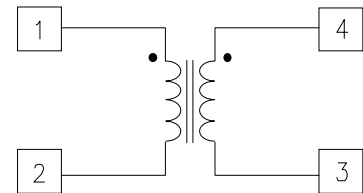
Electrical Specifications at 25° C

Part Number	--- Parallel Ratings ---			--- Series Ratings ---		
	L ( $\mu$ H)	DCR ( $\Omega$ )	I ADC	L ( $\mu$ H)	DCR ( $\Omega$ )	I ADC
L-15718	50	.090	1.350	200	.360	.675

All dimensions in inches (mm):



Schematic Diagram



For series operation  
Connect 2 & 4

For parallel operation  
Connect 1 & 4 and 2 & 3

RHOMBUS P/N: L-15718

CUST P/N:

NAME:

DATE: 3/20/00

SHEET: 1 OF 1