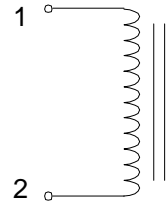


Surface Mount Self-Leaded Inductor

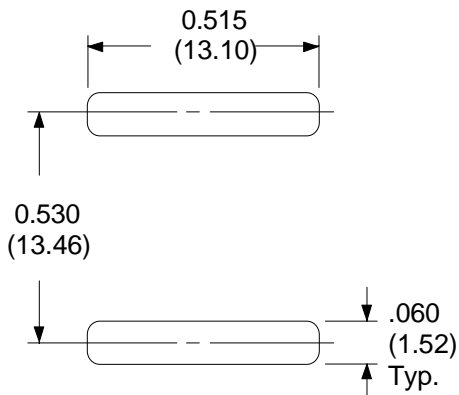
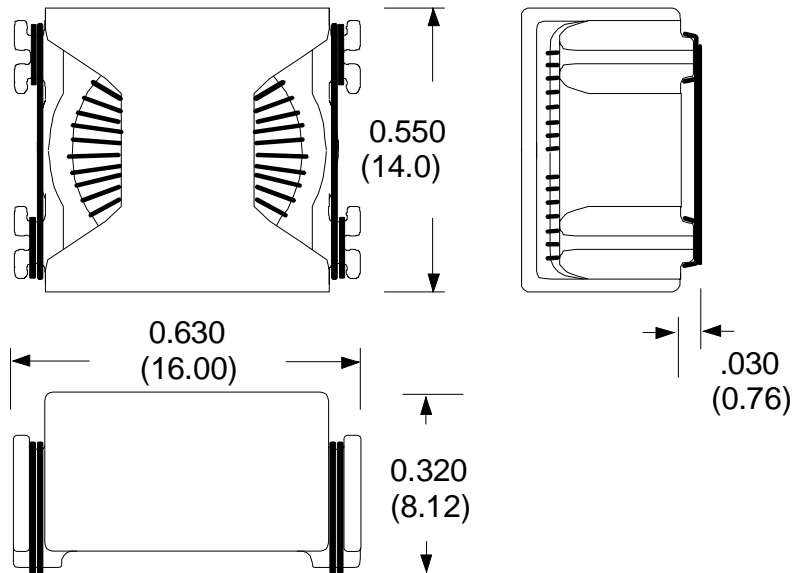
Electrical Specifications at 25°C. Operating Temp. Range: -30°C to +130°C

| Part Number | L (μH) | I_{DC} (Amps) | E-T ⁽¹⁾ Product (V- μs) | DCR max. (Ω) |
|-------------|------------------------|---------------------------|--|-----------------------------|
| L-15362 | 115 | 0.67 | 29.7 | 0.4 |

Schematic Diagram



1) ET operated at 150 kHz except where designated



Suggested Pad Layout

| | |
|----------------------|---------------|
| RHOMBUS P/N: L-15362 | |
| CUST P/N: | NAME: |
| DATE: 10/15/98 | SHEET: 1 OF 1 |