

# Surface Mount Self-Leaded Inductor

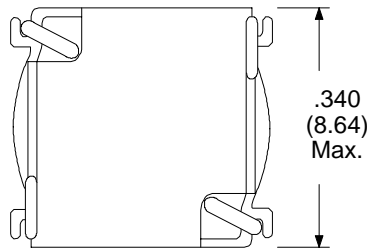
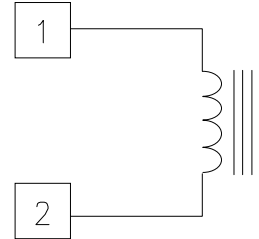
## 150 kHz

Electrical Specifications at 25°C. Operating Temp. Range: -30°C to +130°C

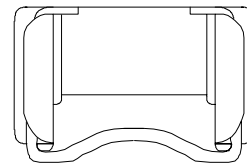
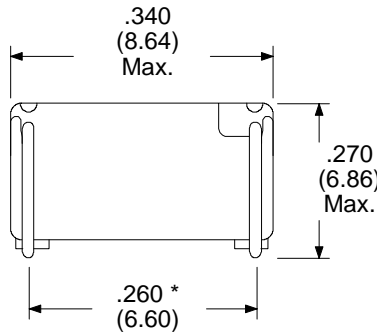
Part Number	L <sup>(1)</sup> with DC ( $\mu$ H)	I <sub>DC</sub> <sup>(1)</sup> (Amps)	E-T <sup>(1)</sup> Product (V- $\mu$ s)	DCR max. ( $\Omega$ )
L-15335	259	0.13	23.1	3.4

1) Typical values for a 55°C Temperature rise at 150 kHz and E-T value above, the core loss is 10 % of copper loss.

Schematic Diagram

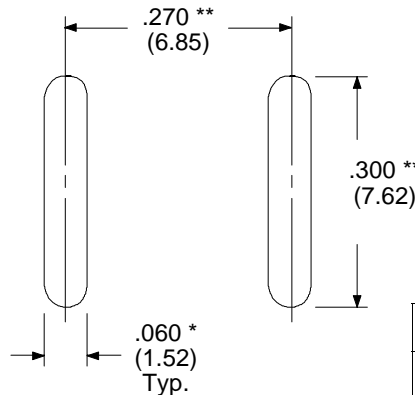


Physical Dimensions  
inches (mm)



\* Tolerance  $\pm$  .015 (0.38)

\*\* Tolerance  $\pm$  .005 (0.15)



Suggested PCB Layout

RHOMBUS P/N: L-15335	
CUST P/N:	NAME:
DATE: 7/30/96	SHEET: 1 OF 1