

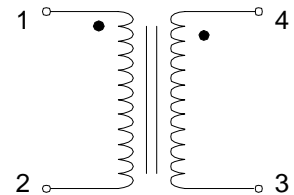
# Low Current Coupled Inductor

- ▣ Self-leaded, Surface Mount
- ▣ Suited for IR & Vapor Reflow Solder
- ▣ Frequency Range up to 1MHz
- ▣ Operating Temp. Range: -30°C to +130°C

Electrical Specifications at 25°C.

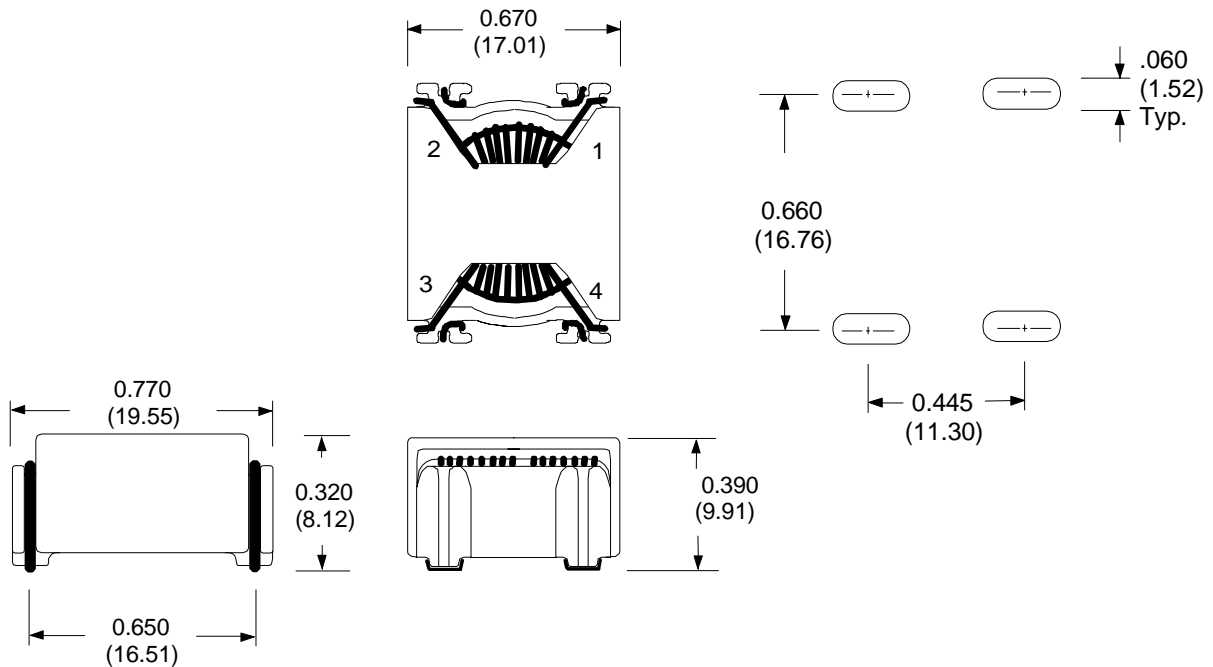
Part Number	$L_{W/DC}$ ( $\mu\text{H}$ )	$L_{W/ODC}$ ( $\mu\text{H}$ ) $\pm 20\%$	Rated Current (Amps)	DCR max. (m $\Omega$ )	ET (V- $\mu$ sec)
L-15334	4.02	6.57	6.4	23	3.13

Schematic Diagram



Rated current,  $L_{W/DC}$ , and ET are reference values.  
All values listed above are for two windings connected in parallel.

## Dimensions in inches (mm)



RHOMBUS P/N: L-15334

CUST P/N:

NAME:

DATE: 8/15/01

SHEET: 1 OF 1