

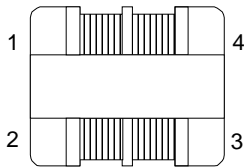
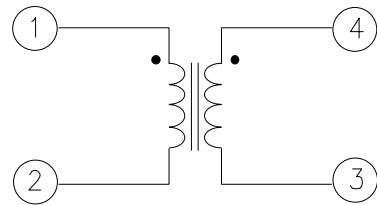
Common Mode Inductor

Parameter	Min.	Max.	Units
Inductance*	5		mH
DCR		0.7	Ω
Current		0.6	A _{RMS}
SRF	400 kHz Typ.		

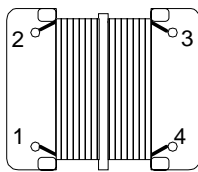
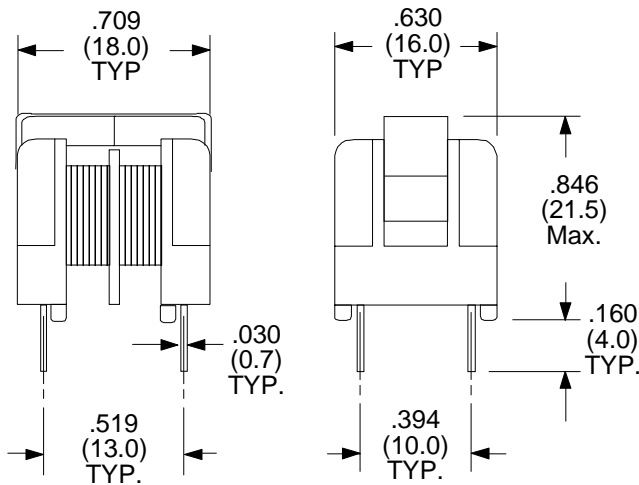
Rated Voltage 250 VAC
 Hipot (Isolation) 2500 VAC
 Insulation Resistance 100M Ω
 Temperature Rise 40°C Max.
 Operating Temperature Range -20°C to +115°C

*Inductance tested at 100mV_{RMS} and 10 kHz

Schematic Diagram



Physical Dimensions
inches (mm)



RHOMBUS P/N: **L-14255**

CUST P/N:

NAME:

DATE: **5/11/02**

SHEET: 1 OF 1