

Common Mode Inductor

Designed for Switching Power Supply Applications.
Especially useful in the 100 kHz to 300kHz Range.

Single Layer Windings with Spacers specially designed by Rhombus Industries to provide 3mm Creepage and Clearance for International Safety Compliance.

Parameter	Min.	Typ.	Max.	Units
Inductance	2.0			mH
DCR			20	mΩ
Current			7.5	A _{RMS}
Leakage Inductance		30		μH

Rated Voltage 250 VAC

Hipot (Isolation) 1250 VAC

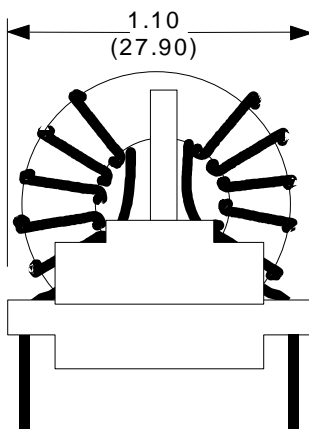
Insulation Resistance 100MΩ

Temperature Rise 60°C Max.

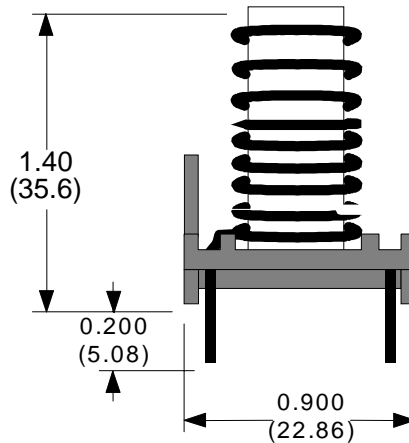
Operating Temperature Range -25°C to +85°C

Materials used in construction of this component meet or exceed UL Class B (130°C)

Physical Dimensions inches (mm)

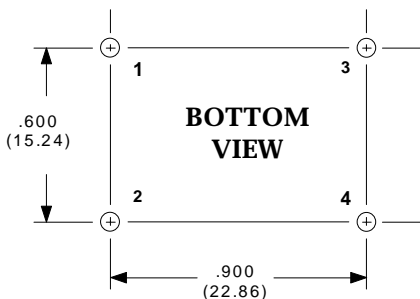
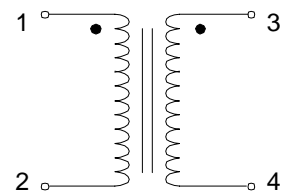


LEAD DIA. : 0.045(1.14)
SELF LEAD



Flammability: Toroid Mount and Creepage Spacer used in the production of these units meet requirements of UL94-VO and IEC 695-2-2 needle flame test.

Schematic Diagram



RHOMBUS P/N: **L-14113**

CUST P/N:

NAME:

DATE: **3/20/01**

SHEET: 1 OF 1