

# Common Mode Inductor

Designed for Switching Power Supply Applications.  
Especially useful in the 100 kHz to 300kHz Range.

Single Layer Windings with Spacers specially designed by Rhombus Industries to provide 3mm Creepage and Clearance for International Safety Compliance.

Parameter	Min.	Max.	Units
Inductance	0.425		mH
DCR		0.012	$\Omega$
Current		8.1	A <sub>RMS</sub>
Leakage Inductance		10	$\mu$ H
SRF	1.75	nominal	MHz

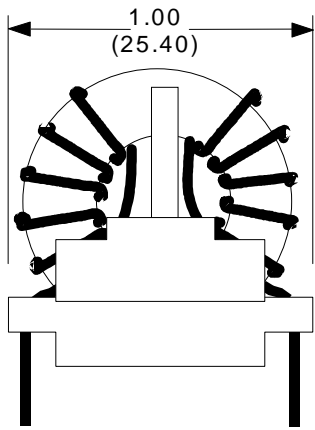
Rated Voltage 250 VAC  
Hipot (Isolation) 1250 VAC  
Insulation Resistance 100M $\Omega$   
Temperature Rise 60°C Max.

Operating Temperature Range -25°C to +85°C

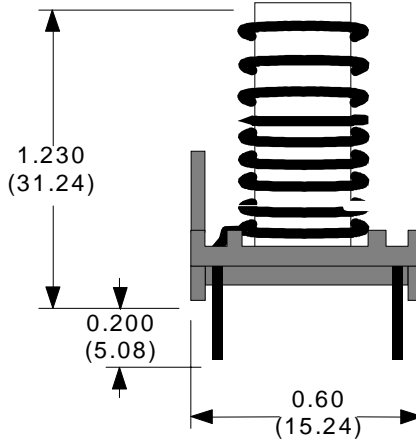
Materials used in construction of this component meet or exceed UL Class B (130°C)

Flammability: Toroid Mount and Creepage Spacer used in the production of these units meet requirements of UL94-VO and IEC 695-2-2 needle flame test.

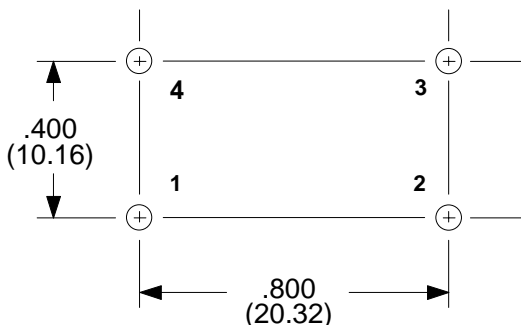
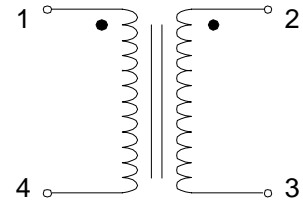
Physical Dimensions  
inches (mm)



LEAD DIA. : .040(1.02)



Schematic Diagram



RHOMBUS P/N: **L-14112**

CUST P/N:

NAME:

DATE: **10/17/97**

SHEET: 1 OF 1