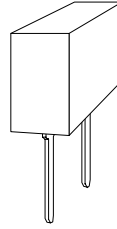


Small Toroid RF Chokes

Miniature Two Lead Thru-hole Packages
Excellent Electrical Performance - High Q



Applications Include
 Satellite Communications
 Microwave Equipment
 Broadcast TV
 Cable TV Systems
 Test Equipment
 AM/FM Radio
 Receivers/Transmitters
 Scanners

Electrical Specifications at 25° C

| PARAMETER | MIN. | TYP. | MAX. | UNITS |
|--------------------------|------|------|------|-------|
| Inductance ¹ | 264 | 330 | 396 | μH |
| Q ² | | 80 | | |
| DCR Pins 1-2 | | 2.9 | | Ω |
| Self Resonance Frequency | | 4.2 | | MHz |

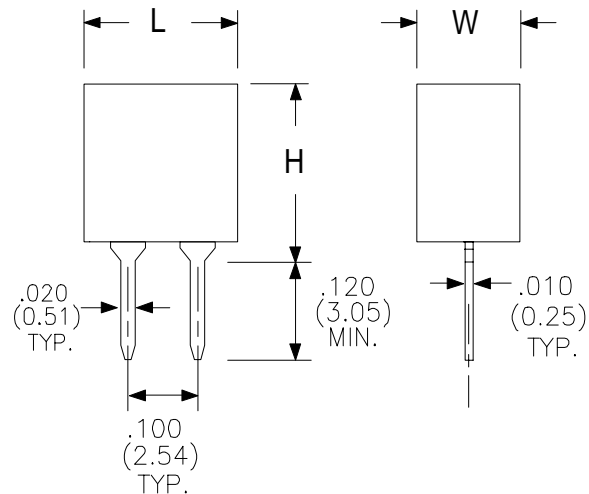
Flammability: Materials used in the production of these units meet requirements of UL94-VO and IEC 695-2-2 needle flame test.

1. Tested @ 100 kHz - 100 mV

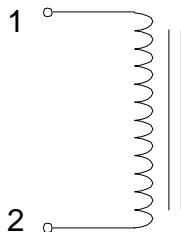
2. @ 1MHz

Dimensions in inches (mm)

| Code | L | W | H |
|------|-----------------|-----------------|------------------|
| MT3 | 0.385 (9.78) | 0.195 (4.95) | 0.395 (10.03) |



Schematic Diagram



RHOMBUS P/N: **L-11781F**

CUST P/N:

NAME:

DATE: 02/02/00

SHEET: 1 OF 1