

# Surface Mount Common Mode Choke (3 Coils, 6 Lines)

*Tape & Reel  
Available*

DATA LINE PROTECTION APPLICATIONS  
SUITABLE FOR BOTH LAN AND TELECOMMUNICATIONS  
FILTER COMMON AND DIFFERENTIAL MODE NOISE  
EMI / RFI SUPPRESSION  
FREQUENCY RANGE OF 100 - 500 MHz  
HIGH CURRENT AND VOLTAGE ISOLATION

Parts shipped in anti-static tubes. 33 pieces per tube

Electrical Specifications at 25° C

Part Number	Pri. Ind. OCL, Min. (μH)	DCR Max. (Ω)	Hi-Pot Min. V <sub>RMS</sub>	Common Mode Attenuation (dB)							
				100k	1M	10M	30M	50M	100M	300M	500M
F-1915	21	0.35	500	6	19	28	34	35	36	34	29

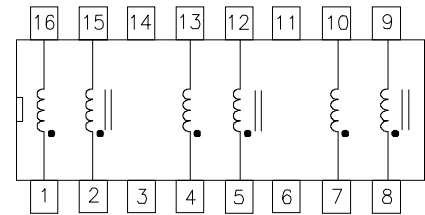
Operating Temperature Range: 0 °C to +70 °C

## Surge Voltage Capability

Metallic Voltage: 800 V peak, 10/560 μS

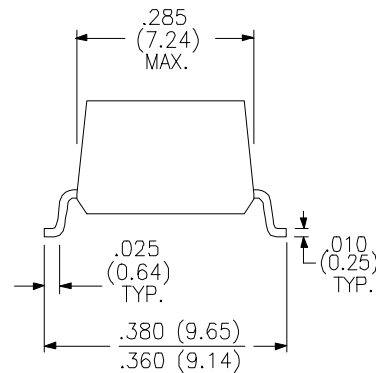
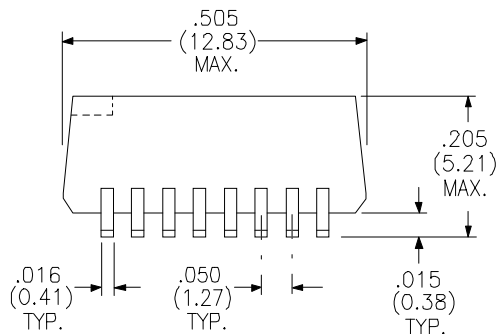
Longitudinal Voltage: 2400 V peak, 10/700 μS

## Schematic Diagram



## Physical Dimensions

inches (mm)



RHOMBUS P/N: F-1915

CUST P/N:

NAME:

DATE: 8/16/96

SHEET: 1 OF 1