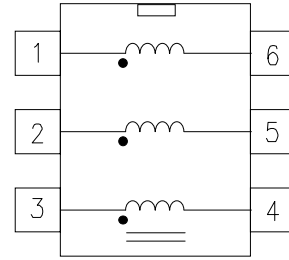


Surface Mount Data Line Choke (3 Lines, 1 Coil)

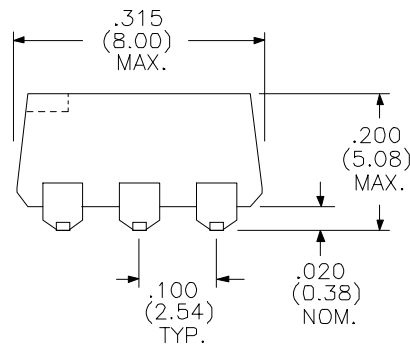
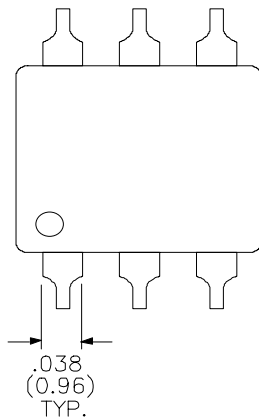
Schematic Diagram



Electrical Specifications at 25° C

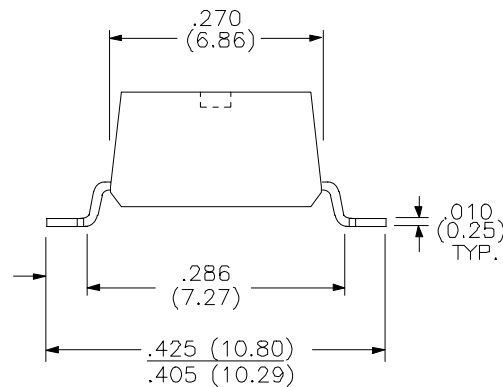
Part Number	Pri. Ind. OCL, Min. (μH)	DCR Max. (Ω)	Hi-Pot Min. V _{RMS}	Common Mode Attenuation (dB)							
				100k	1M	10M	30M	50M	100M	300M	500M
F-1903	47	0.3	2000	3	20	33	37	35	27	9	4

Operating Temperature Range: 0 °C to +70 °C
Current Rating: 100mA (Common Mode)



Physical Dimensions

inches (mm)



RHOMBUS P/N: F-1903

CUST P/N:

NAME:

DATE: 9/16/96

SHEET: 1 OF 1