

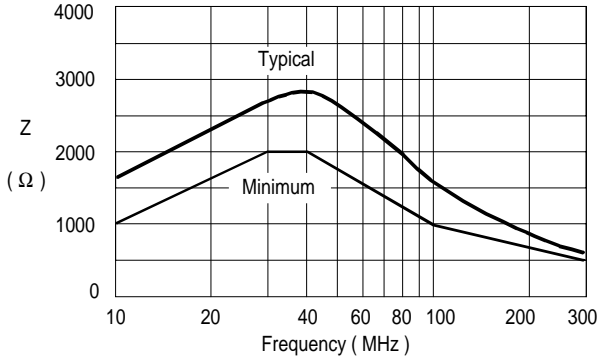
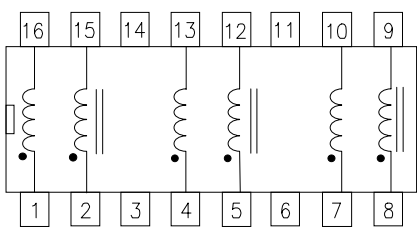
Turns Ratio (± 5%)	1:1
----------------------	-----

TOKEN RING FILTER

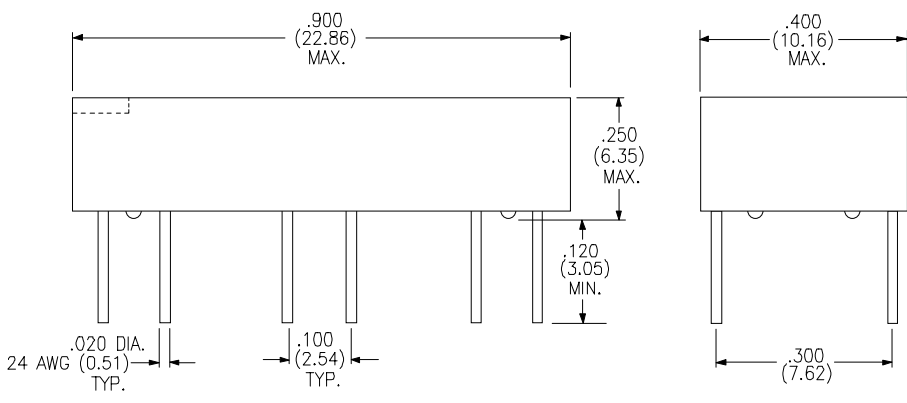
P/N F-1801

PARAMETER	MIN.	MAX.	UNITS
Open Circuit Inductance Oscillation Voltage = .020V Oscillation Frequency = 100.0 KHz	100		μH
Leakage Inductance Oscillation Level = .020V Oscillation Frequency = 1 MHz		0.5	μH
Interwinding Capacitance (C _{ww}) Oscillation Frequency = 1 MHz		35	pF
DCR		0.4	ohms
Parallel Impedance Oscillation Voltage = .016V Oscillation Frequency = 10 MHz	1000		ohms
Leakage Current (HI-POT)	500		VRMS

Schematic Diagram



Physical Dimensions 16-Pin Package with Unused Pins Omitted



1/15/96