

# High Frequency Data Line Filter

Low Profile 50 mil 16 Pin  
Transfer Molded Package  
Gullwing SMD

50 mil Surface Mount Package

Filter Common &  
Differential Mode Noise

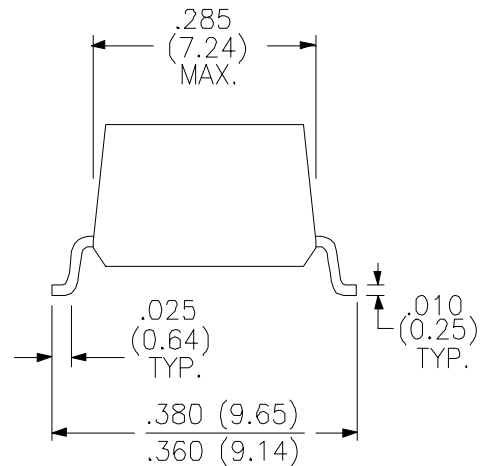
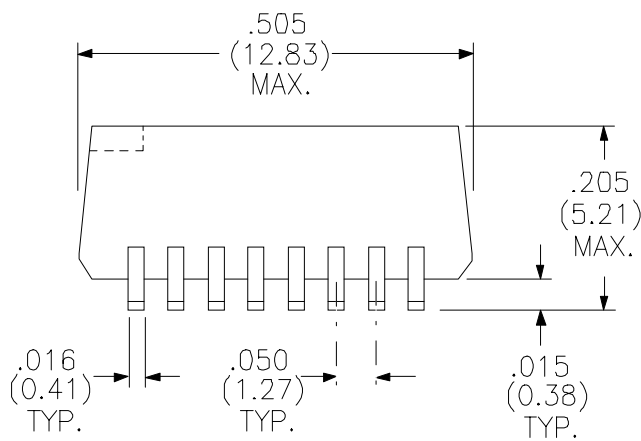
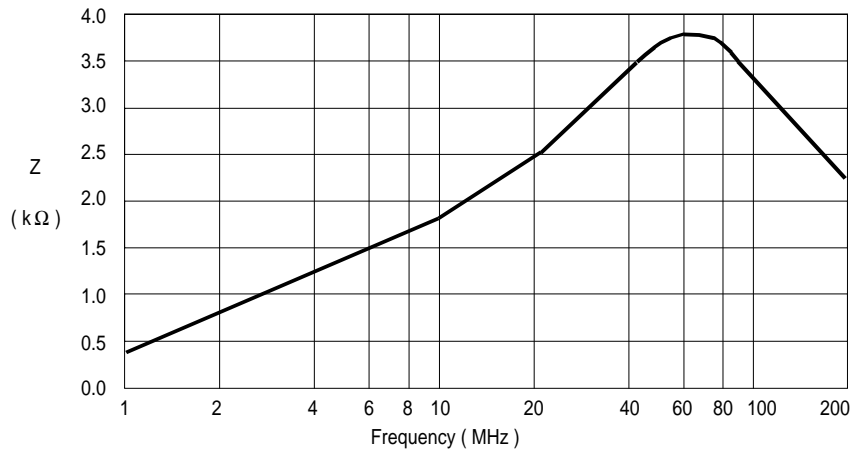
Frequency Range 1 - 200 MHz

EMI / RFI Suppression

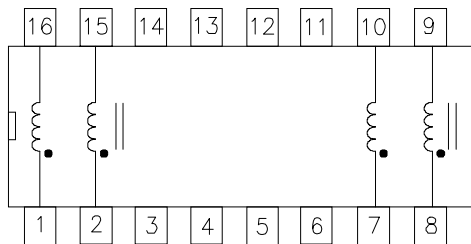
2000 V<sub>RMS</sub> Isolation

Operating temperature Range  
-45°C to +85°C

P/N F-1506 Typical Impedance Plot



Schematic Diagram



**TAPE AND REEL  
AVAILABLE**

RHOMBUS P/N: <b>F-1506</b>	
CUST P/N:	NAME:
DATE: <b>1/12/98</b>	SHEET: