

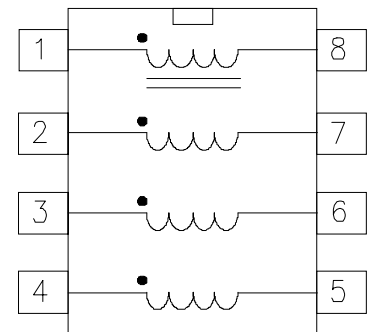
ISDN S Interface Common Mode Choke

Turns Ratio (± 1%)

1:1:1:1

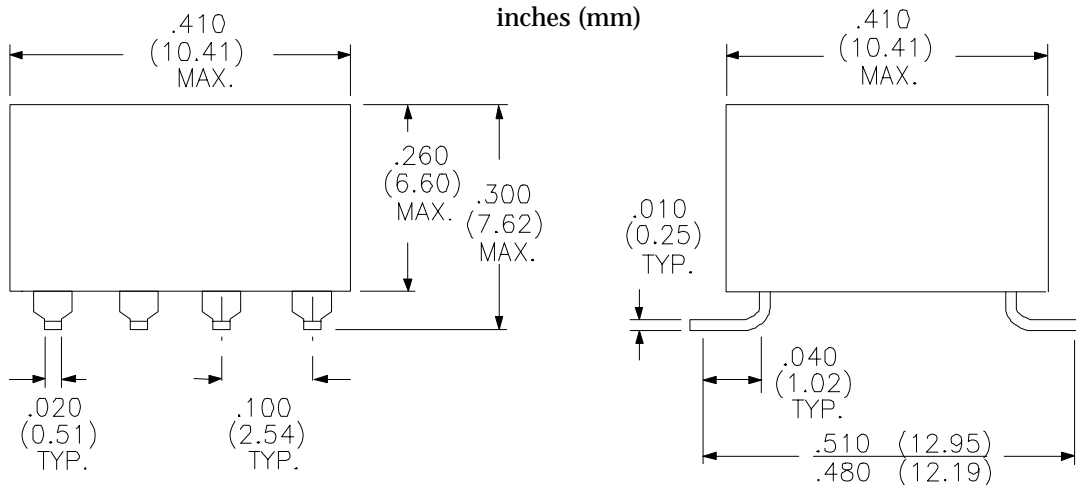
PARAMETER	MIN.	MAX.	UNITS
*Open Circuit Inductance	22.5		μHy
*Leakage Inductance		0.23	μHy
*Interwinding Capacitance (C _{WW})		17	pF
DC Resistance (any winding)		0.3	ohms
Impedance @ 1 MHz	0.2		KΩ
Impedance @ 5 MHz	0.9		KΩ
Impedance @ 10 MHz	1.2		KΩ
Impedance @20 MHz	2.0		KΩ
Isolation (HI-POT)	500		V _{RMS}
*TEST CONDITIONS: Oscillation Voltage = 100mV Oscillation Frequency = 100.0 KHz Inductance measured on 1 winding.			

SCHEMATIC
DIAGRAM



Flammability: Materials used in the production of these units are UL94-VO and meet requirements of IEC 695-2-2 needle flame test.

PHYSICAL DIMENSIONS
inches (mm)



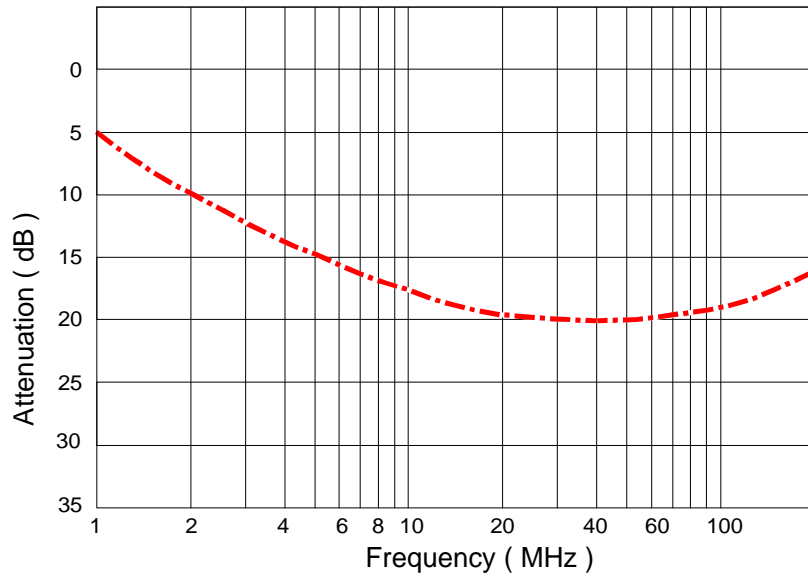
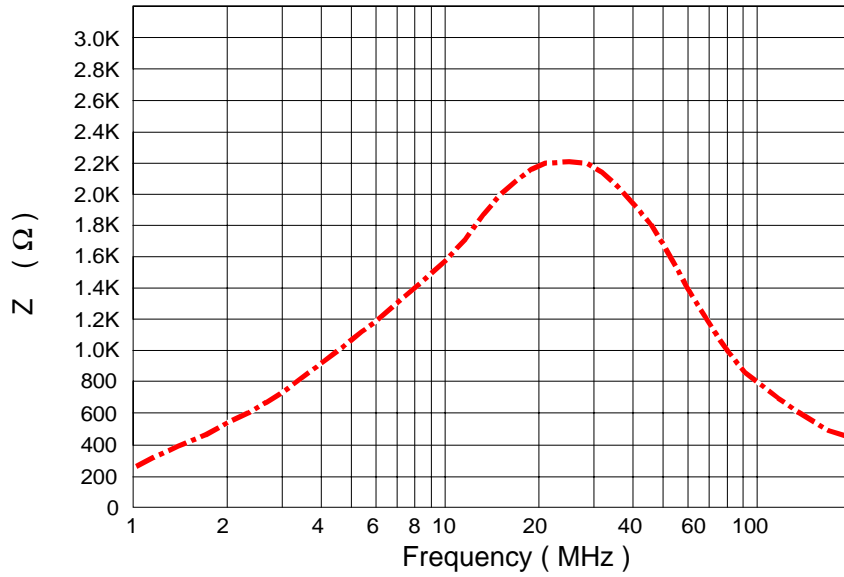
RHOMBUS P/N: **F-1452**

CUST P/N:

NAME:

DATE: **11/30/96**

SHEET: **1 OF 1**



100Ω System

RHOMBUS P/N: F-1452	
CUST P/N:	NAME:
DATE: 07/16/98	SHEET: