

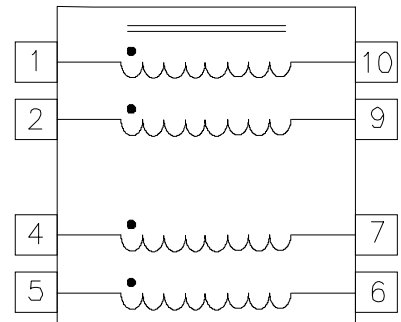
# ISDN S Interface Common Mode Choke

Turns Ratio ( ± 1% )

1:1:1:1

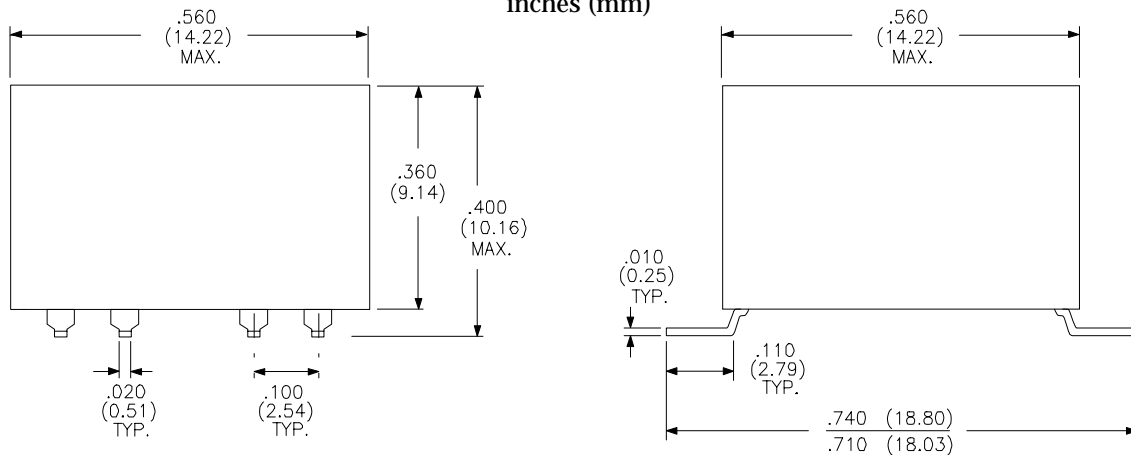
PARAMETER	MIN.	MAX.	UNITS
Open Circuit Inductance	4.0		mHy
Leakage Inductance		1	μHy
Interwinding Capacitance ( $C_{w/w}$ )		60	pF
DC Resistance (any winding)		1.2	ohms
Impedance @150 KHz	3.3		KΩ
Impedance @300 KHz	6.0		KΩ
Impedance @500 KHz	8.0		KΩ
Impedance @1000 KHz	11.0		KΩ
Isolation (HI-POT)	1.0K		V <sub>RMS</sub>
<b>TEST CONDITIONS:</b> Oscillation Voltage = 700mV Oscillation Frequency = 10.0 KHz Inductance measured on 1 winding.			

SCHEMATIC  
DIAGRAM



**Flammability: Materials used in the production of these units are UL94-VO and meet requirements of IEC 695-2-2 needle flame test.**

PHYSICAL DIMENSIONS  
inches (mm)



RHOMBUS P/N: **F-1421**

CUST P/N:

NAME:

DATE: **11/1/96**

SHEET: **1 OF 1**