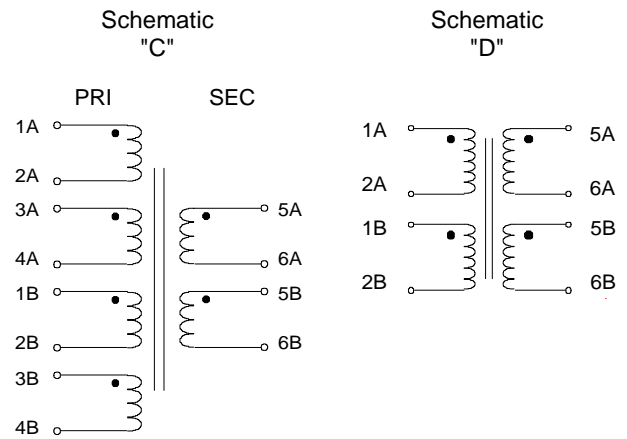


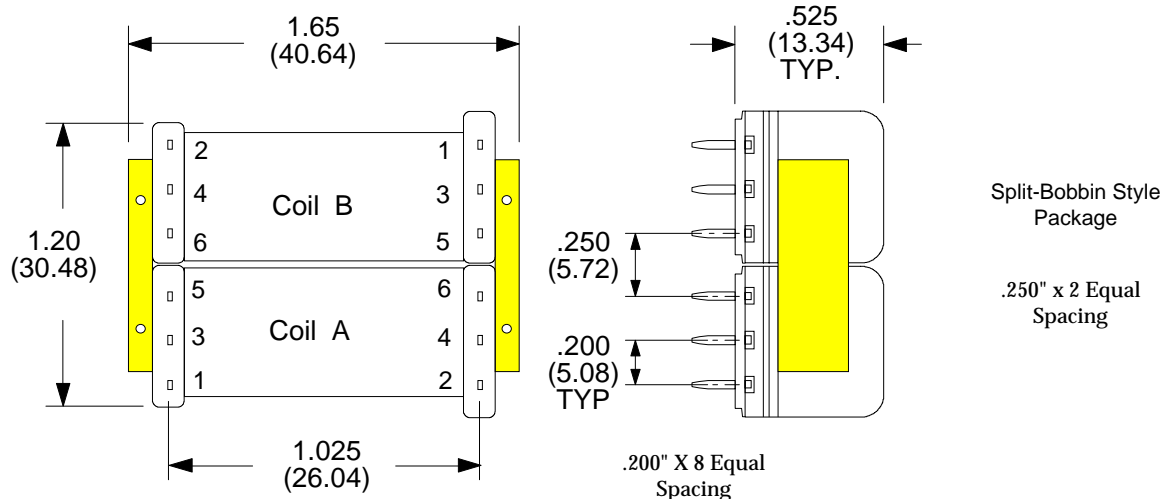
Modem Coupling and Voiceband Transformers

- Low Distortion
- Isolation is 1500V_{RMS} Min.
- Designed to meet FCC part 68
- Frequency Range: 300Hz to 3500Hz
- Low Profile Package
- Custom Designs Available



Electrical Specifications at 25°C

Parameter		T-31107	T-31108	Units
Impedance R Load	PRI.	600	600	Ω
	SEC.	365	470	Ω
Turns Ratio		1:1	1:1	
Direct Current in Pri. (DCI)	maximum	80	80	mA
DC Resistance	PRI. $\pm 10\%$	95	95	Ω
	SEC. $\pm 10\%$	180	180	Ω
Insertion Loss	max., ref. 1 kHz	2.0	2.1	dB
Return Loss	min., @ 300 Hz	15	26	dB
Longitudinal Balance	min., 200Hz to 4kHz	60	60	dB
Frequency Response	300 Hz to 3.5 kHz	± 0.25	± 0.25	dB
Isolation	minimum	1500	1500	V _{RMS}
Schematic Style		C	D	



Specifications subject to change without notice.

For other values & Custom Designs, contact factory.

COUPLNG3 - 11/98